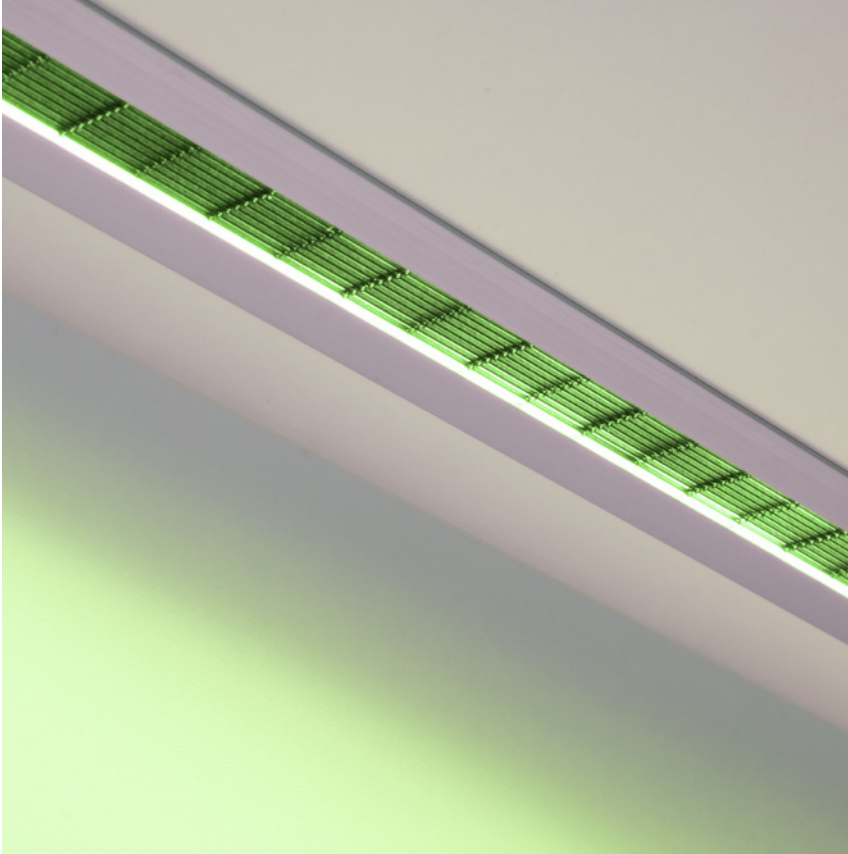


Linear

MOMO-R RGBW Fixture Guide

KKDÖ

Indoor/Outdoor | Recessed | RGBW output

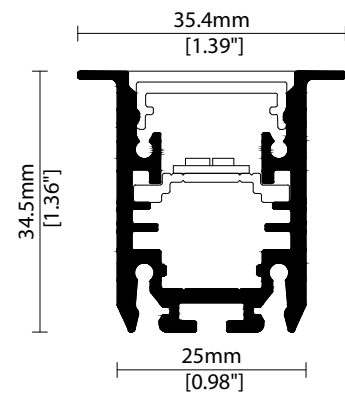


Key applications

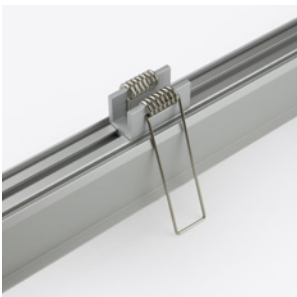
- ✓ Bathrooms
- ✓ Ceiling
- ✓ Direct lighting
- ✓ Downlighting
- ✓ Exterior
- ✓ Interior
- ✓ Special effect
- ✓ Wet area

Key features

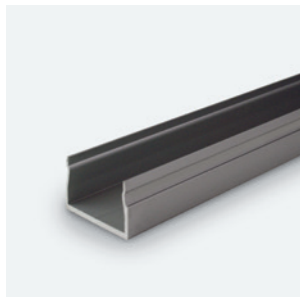
- ✓ Custom lengths
- ✓ Constant Voltage (CV)
- ✓ Diffusion: homogenous
- ✓ Direct view
- ✓ Extensive CCT range
- ✓ Glare control options
- ✓ IP44 moisture resistant
- ✓ IP67 waterproof
- ✓ LEDmix RGBW



MOUNTING METHODS



KKSB-01 Spring bracket



KKCR-01-1000 Cable raceway (1000mm)
KKCR-01-2000 Cable raceway (2000mm)
KKCR-01-3000 Cable raceway (3000mm)

Linear

MOMO-R RGBW

Specification sheet



Dimensions	H34.5/W35.4/L160-2035mm (H1.36/W1.39/L6.30-80.12in)
PCB Cut-point	62.5mm increment/2000mm max (2.46in increment/78.74in max)
LED Pitch	10.4mm-192LED/m (0.41in - 59LED/ft)
Chip	RGBW LEDmix
Cover/Optics	Clear (100°)/Diffused (95°)/Clear + Micro louvre
CCT	s-line: White: 1900K/2100K/2300K/2500K/2700K/3000K/3500K/4000K/5000K/ RGB: Red 620-625nm/Blue 455-460nm/Green 520-525nm k-line: White: 1900K/2100K/2300K/2500K/2700K/3000K/3500K/4000K/5000K RGB: Red 617-627nm/Blue 464-474nm/Green 515-525nm
LED binning	s-line: White: 2.5-step MacAdam ellipse/RGB: 5nm tolerance k-line: White: 3-step MacAdam ellipse/RGB: 10nm tolerance
CRI	≥ 90 (white only)
Lifetime	50,000 hours @ 25°C (50,000 hours @ 77°F)
Operating temp	T _a = -25 to 50°C (T _c max = 78.9°C) T _a = -13 to 122°F (T _c max = 174°F)
IP Rating	IP44/67
Finish	Silver anodised
Mounting	Recessed mounting via spring clip/Cable race way
Power feed	Sheathed hardwire tails or male/female connectors
Control	0-10V/1-10V/DMX/DALI



LED Grading Key

Exclusive Grade

s-line*
2-step CCT range

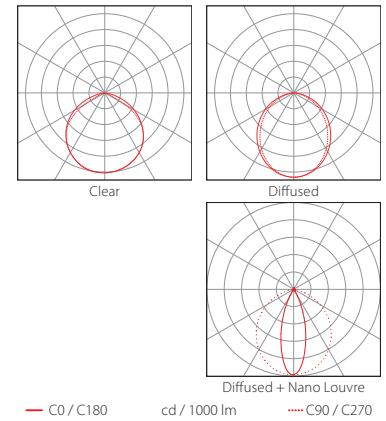
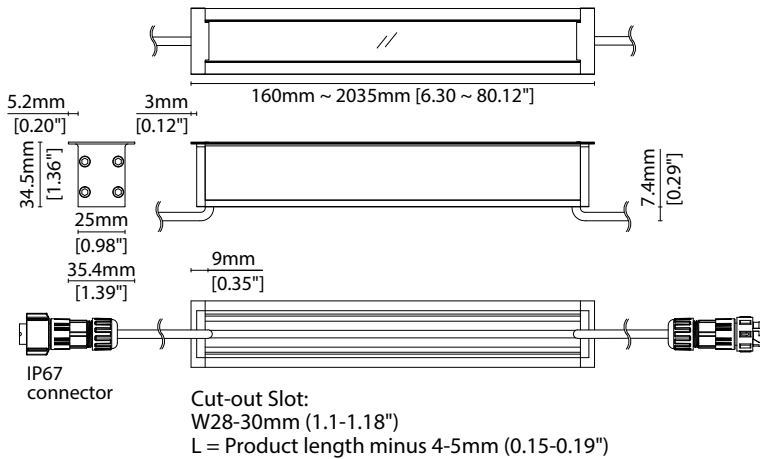
*KKDC tuned
CCT range

Base Grade

k-line
3-step commercial range
Energy Star CCTs

Power consumption	Supply voltage	Supply current
20W/m (6.10W/ft)	24V DC	0.83A/m (0.25A/ft)

	Clear	Clear + Micro Louvre	Diffused Cover
s-line	973lm/m (297lm/ft) 48.7lm/W	283lm/m (86lm/ft) 14.2lm/W	435lm/m (132lm/ft) 21.7lm/W
k-line	918lm/m (280lm/ft) 45.9lm/W	267lm/m (81lm/ft) 13.4lm/W	410lm/m (125lm/ft) 20.5lm/W



Data derived from independent UKAS / IESNA LM-79-08 accredited testing of production samples.

MOMO-R RGBW

Code Table



FIXTURE

Model	Finish	Cover/Lens ¹	Grade ²	LED	Colour (CCT)	Length Availability ³	IP	Cable Length	Power Feed ⁴	Input	
MOMO-R	OR Silver Anodised	SA Clear	B	⁵ s	R201 R201	RGB+1900K 19	m 160-2035mm 62.5mm increments	300mm/ 11.81"	IP44 44 IP67 ⁶ 67	Single ø5.5mm sheath tail S00E DC 24V	
			K	⁵ k	RGB+2100K 21						
			C		RGB+2300K 23						
		Clear + Micro Louvre				RGB+2500K 25	i 6.30-80.12in 2.46in increments (Specify length code OR total run length)				Double ø5.5mm sheath tail D00E
					RGB+2700K 27						
					RGB+3000K 30						
					RGB+3500K 35						
					RGB+4000K 40						
					RGB+5000K 50						
									Single ø5.5mm sheath IP67 Male Connector S67F Double ø5.5mm sheath IP67 Connector D67F		

¹ Refer to **Cover/Lens Options** on **Options** pages ² Refer to **LED Grading Key** on **Specification sheet** page ³ Refer to **Length Availability List** or enter total run length instead of length code
⁴ Refer to **Power Feed Options** on **Options** pages ⁵ LEDmix RGBW requires white colour choice
⁶ Due to the clear, flush potted polyurethane top layer on IP67 MOMO-R a colour shift of +/-20K should be expected

Code Example:

OR	-	SA	-	C	-	s	-	R201	-	RGBW	-	m	525	-	67	-	0300	-	D67F	-	g
MOMO-R		Silver Anodised		Diffused				R201		RGBW		525mm		IP67		300mm/11.81"		Double ø5.5mm sheath IP67 Connector		DC 24V	

ACCESSORIES

Mounting Accessories

KKSB-01	Spring bracket
KKCR-01-1000	1000mm/39.37" Cable Raceway
KKCR-01-2000	2000mm/78.74" Cable Raceway
KKCR-01-3000	3000mm/118.11" Cable Raceway

* Refer to **Mounting accessories** on **Accessories** pages

Connection Accessories

CN67-5P-0300	IP67 5 PIN male & female 300mm/11.81" pair
CN67-5P-1000	IP67 5 PIN male & female 1000mm/39.37" pair
CN67-5P-3000	IP67 5 PIN male & female 3000mm/118.11" pair

* Refer to **Power feed** on **Accessories** pages

Exterior Junction Boxes

KKJB-07	IP67 Slim J-Box
KKJB-07R	Potting Resin for IP67 Slim J-Box

* Refer to **Exterior Junction Boxes** on **Accessories** pages

PSU/Driver

0-10V/1-10V/DALI/DMX

* Refer to **Driver/PSU Options** page for details or provide requirement and KKDC to offer the suitable option

LED ENGINE VARIANTS (LED STRIP TYPE)

Colour	LED	Lumen/m	Lumen/ft	W/m	W/ft	Spec Doc	Length	Increment
Single CCT	R007	563	172	7	2.13	MOMO-R R007	108-2025mm (4.25-79.72in)	41.7mm (1.64in)
	R014	1152	351	14	4.27	MOMO-R R014	108-2025mm (4.25-79.72in)	41.7mm (1.64in)
	R020	1632	498	20	6.10	MOMO-R R020	108-2025mm (4.25-79.72in)	41.7mm (1.64in)
	R030	2309	704	30	9.14	MOMO-R R030	108-2025mm (4.25-79.72in)	41.7mm (1.64in)
	A040	3668	1118	40	12.19	MOMO-R A040	102-1525mm (4.01-60.03in)	38.46mm (1.51in)
	Warm Dim/Dynamic White	R207	1282	391	16	4.88	MOMO-R R207	108-2025mm (4.25-79.72in)
RGB	501	Red 125	Red 38	15.6	4.75	MOMO-R RGB	108-2025mm (4.25-79.72in)	83.3mm (3.28in)
		Green 266	Green 81					
		Blue 42	Blue 13					
		RGB 383	RGB 117					
RGBW	R201	973	297	20	6.1	MOMO-R RGBW	160-2035mm (6.30-80.12in)	62.5mm (2.46in)

* Performance data: s-line, clear cover, 3000K+RGB

MOMO-R RGBW

Length Availability List

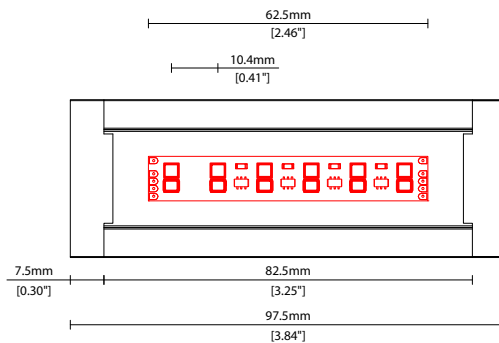


Length Code		Fixture Length ¹		LED Strip ²		End Cap Dimension ³		Wattage (W)	Output (lm)
Metric	Imperial(US)	Metric	Imperial(US)	Metric	Imperial(US)	Metric	Imperial(US)		3000K (Test Data)
m0160	i0006	160mm	6.30in	125mm	4.92in	15mm	0.59in	2.50	115
m0223	i0009	223mm	8.76in	188mm	7.38in	15mm	0.59in	3.75	172
m0285	i0011	285mm	11.22in	250mm	9.84in	15mm	0.59in	5.00	230
m0348	i0014	348mm	13.68in	313mm	12.30in	15mm	0.59in	6.25	287
m0410	i0016	410mm	16.14in	375mm	14.76in	15mm	0.59in	7.50	344
m0473	i0019	473mm	18.60in	438mm	17.22in	15mm	0.59in	8.75	402
m0535	i0021	535mm	21.06in	500mm	19.69in	15mm	0.59in	10.00	459
m0598	i0024	598mm	23.52in	563mm	22.15in	15mm	0.59in	11.25	516
m0660	i0026	660mm	25.98in	625mm	24.61in	15mm	0.59in	12.50	574
m0723	i0028	723mm	28.44in	688mm	27.07in	15mm	0.59in	13.75	631
m0785	i0031	785mm	30.91in	750mm	29.53in	15mm	0.59in	15.00	689
m0848	i0033	848mm	33.37in	813mm	31.99in	15mm	0.59in	16.25	746
m0910	i0036	910mm	35.83in	875mm	34.45in	15mm	0.59in	17.50	803
m0973	i0038	973mm	38.29in	938mm	36.91in	15mm	0.59in	18.75	861
m1035	i0041	1035mm	40.75in	1000mm	39.37in	15mm	0.59in	20.00	918
m1098	i0043	1098mm	43.21in	1063mm	41.83in	15mm	0.59in	21.25	975
m1160	i0046	1160mm	45.67in	1125mm	44.29in	15mm	0.59in	22.50	1033
m1223	i0048	1223mm	48.13in	1188mm	46.75in	15mm	0.59in	23.75	1090
m1285	i0051	1285mm	50.59in	1250mm	49.21in	15mm	0.59in	25.00	1148
m1348	i0053	1348mm	53.05in	1313mm	51.67in	15mm	0.59in	26.25	1205
m1410	i0056	1410mm	55.51in	1375mm	54.13in	15mm	0.59in	27.50	1262
m1473	i0058	1473mm	57.97in	1438mm	56.59in	15mm	0.59in	28.75	1320
m1535	i0060	1535mm	60.43in	1500mm	59.06in	15mm	0.59in	30.00	1377
m1598	i0063	1598mm	62.89in	1563mm	61.52in	15mm	0.59in	31.25	1434
m1660	i0065	1660mm	65.35in	1625mm	63.98in	15mm	0.59in	32.50	1492
m1723	i0068	1723mm	67.81in	1688mm	66.44in	15mm	0.59in	33.75	1549
m1785	i0070	1785mm	70.28in	1750mm	68.90in	15mm	0.59in	35.00	1607
m1848	i0073	1848mm	72.74in	1813mm	71.36in	15mm	0.59in	36.25	1664
m1910	i0075	1910mm	75.20in	1875mm	73.82in	15mm	0.59in	37.50	1721
m1973	i0078	1973mm	77.66in	1938mm	76.28in	15mm	0.59in	38.75	1779
m2035	i0080	2035mm	80.12in	2000mm	78.74in	15mm	0.59in	40.00	1836

¹ Actual total overall length of light fixture (LED strip + end caps + void/wire hole)

² Actual length of PCB strip

³ Actual length of 2x end caps



CUT-OUT SLOT:
W28-30mm (1.1-1.18")
L = Product length minus 4-5mm (0.15-0.19")

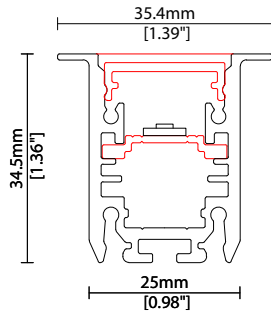
COVER/LENS OPTIONS

* Options are an integral part of the fixture ordering codes. Please refer to **Code Table** pages.



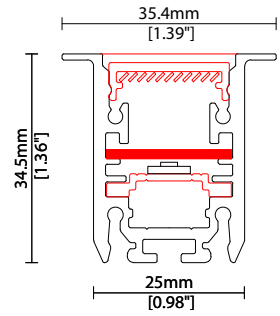
B Clear Cover

W25.0/H34.5mm (W0.98/H1.36")



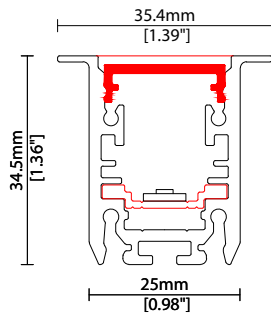
K Clear Cover + Micro Louvre

W25.0/H34.5mm (W0.98/H1.36")



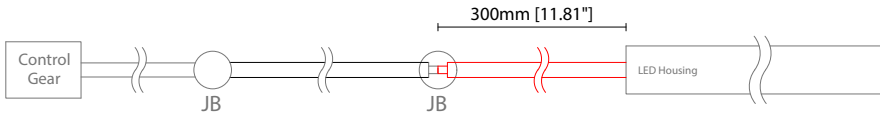
C Diffused

W25.0/H34.5mm (W0.98/H1.36")

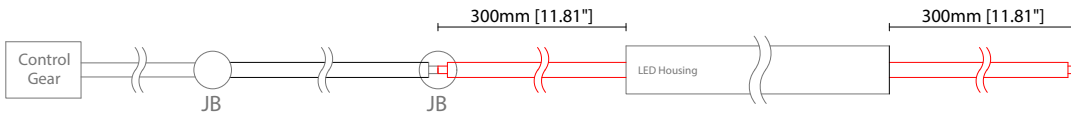


POWER FEED OPTIONS

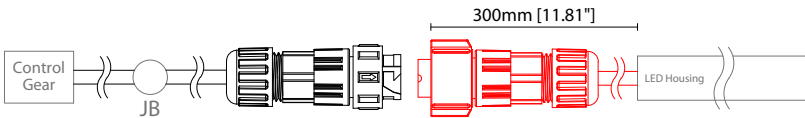
0300 S00E 300mm (11.81") Single Ø5.5mm sheath tail



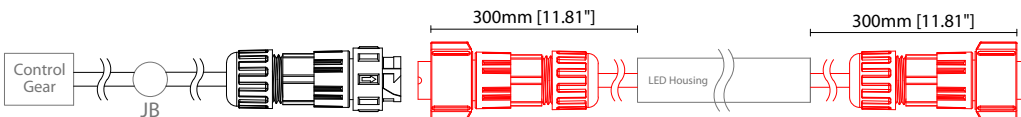
0300 D00E 300mm (11.81") Double Ø5.5mm sheath tail



0300 S67F 300mm (11.81") Single Ø5.5mm sheath IP67 connector



0300 D67F 300mm (11.81") Double Ø5.5mm sheath IP67 connector



Key

Control Gear	Power supply, sub-controllers & control systems
JB	Junction box / cable connection

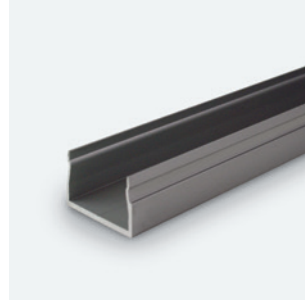
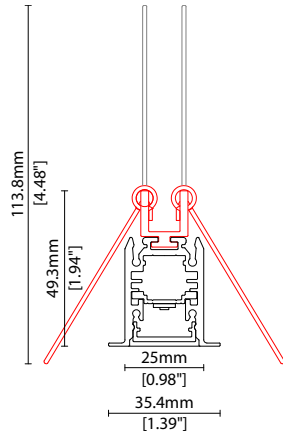
MOUNTING ACCESSORIES

Note: Accessories are to be ordered separately with corresponding code shown below.



KKSB-01

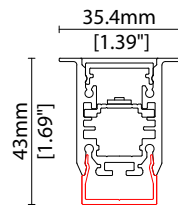
Spring bracket
(allow 2 per metre/40")
Anodised aluminium finish
L31/W35.4/H45.2mm
(L1.22/W1.39/H1.78")



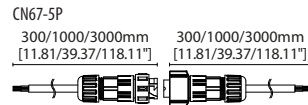
KKCR-01-1000	1000mm (39.37in)
KKCR-01-2000	2000mm (78.74in)
KKCR-01-3000	3000mm (118.11in)

Cable raceway*
anodised aluminium finish
W22/H36.4mm (W0.87/H1.43")

* Cut & drilled to fit on site



POWER FEED



CN67-5P-0300	300mm (11.81in) pair
CN67-5P-1000	1000mm (39.37in) pair
CN67-5P-3000	3000mm (118.11in) pair

IP67

5 PIN male + female (RGBW) connector set

EXTERIOR JUNCTION BOXES



KKJB-07

IP67 Slim J-Box
(including type A,B,C,D bushings)



KKJB-07R

Potting resin for IP67 Slim J-Box

KKDC CONTROL



KKDM-06 1-10V

visDIM dimmable sub-controller
(4 x 8A max @ 12-36V)

IP20
Plastic housing
L170/W59/H29mm
(L6.69/W2.32/H1.14in)



KKSC-05 DMX

visDIM dimmable sub-controller
(4 x 5A max @ 12-36V)

IP20
Plastic housing
L170/W53.4/H28mm
(L6.69/W2.10/H1.10in)



KKDL-02 DALI

visDIM dimmable sub-controller
(4 x 8A max @ 12-36V)

IP20
Plastic housing
L170/W59/H29mm
(L6.69/W2.32/H1.14in)



KKDL-03 DALI

visDIM dimmable sub-controller
(4 x 5A max @ 12-36V)

IP20
Plastic housing
L166/W53.4/H23mm
(L6.54/W2.10/H0.91in)

AVAILABLE PSU OPTIONS

Control Mode	PSU (Order Code)	Input Voltage AC	Output Voltage DC	Rated Output Current	Rated Power	Dim %	IP Rating
Switched	CEN-60-24	90-295V	24V	2.5A	60W	-	IP67
	HLG-60H-24	90-305V	24V	2.5A	60W	-	IP67
	HLG-100H-24	90-305V	24V	4.0A	100W	-	IP67
	HLG-150H-24	90-305V	24V	6.3A	150W	-	IP67
	HLG-240H-24	90-305V	24V	10A	240W	-	IP67
0-10V (1-10V)	PWM-40-24	90-305V	24V	1.67A	40W	100-0.15 (100-10)	IP67
	PWM-60-24	90-305V	24V	2.5A	60W	100-0.15 (100-10)	IP67
	PWM-90-24	90-305V	24V	3.67A	90W	100-0.15 (100-10)	IP67
	PWM-120-24	90-305V	24V	5.0A	120W	100-0.15 (100-10)	IP67
DALI	LIN100A1	120-277V	24V	1A per channel	100W	100-0.1	IP66/IP40
DMX RGB	LIN100A1	120-277V	24V	1.33A per channel	100W	100-0.1	IP66/IP40
DMX RGBW	LIN100A1	120-277A	24V	1A per channel	100W	100-0.1	IP66/IP40

Flicker Free Options - Combination of PSU+ sub-controller

Control Mode	PSU (Order Code)	Sub-controller (Order Code)	Input Voltage AC	Output Voltage DC	Rated Output Current	Rated Power	Dim %	IP Rating PSU/ Sub-controller
0-10V or 1-10V	CEN-60-24	KKDM-06	90-295V	24V	2.5A	60W	100-0.9	IP67/IP20
	HLG-60H-24	KKDM-06	90-295V	24V	2.5A	60W	100-0.9	IP67/IP20
	HLG-100H-24	KKDM-06	90-295V	24V	4.0A	100W	100-0.9	IP67/IP20
	HLG-150H-24	KKDM-06	90-295V	24V	6.3A	150W	100-0.9	IP67/IP20
	HLG-240H-24	KKDM-06	90-295V	24V	10.0A	240W	100-0.9	IP67/IP20
DALI	CEN-60-24	KKDL-02/03	90-295V	24V	2.5A	60W	100-0.1	IP67/IP20
	HLG-60H-24	KKDL-02/03	90-305V	24V	2.5A	60W	100-0.1	IP67/IP20
	HLG-100H-24	KKDL-02/03	90-305V	24V	4.0A	100W	100-0.1	IP67/IP20
	HLG-150H-24	KKDL-02/03	90-305V	24V	6.3A	150W	100-0.1	IP67/IP20
	HLG-240H-24	KKDL-02/03	90-305V	24V	10.0A	240W	100-0.1	IP67/IP20
DMX RGB	CEN-60-24	KKSC-05	90-295V	24V	2.5A	60W	100-0.9	IP67/IP20
	HLG-60H-24	KKSC-05	90-305V	24V	2.5A	60W	100-0.9	IP67/IP20
	HLG-100H-24	KKSC-05	90-305V	24V	4A	100W	100-0.9	IP67/IP20
	HLG-150H-24	KKSC-05	90-305V	24V	6.3A	150W	100-0.9	IP67/IP20
	HLG-240H-24	KKSC-05	90-305V	24V	10.0A	240W	100-0.9	IP67/IP20

¹ The items shown above cover the most frequently used specification but does not exhaust the possible options

² PSU and/or driver can be chosen from the table, or KKDC may recommend the best option upon receipt of the controls requirement and installation environment

³ Electrical shop drawing will include detailed information of PSU and relevant control drivers

⁴ Cut sheets are available on the controls section of www.kkdc.lighting or upon request